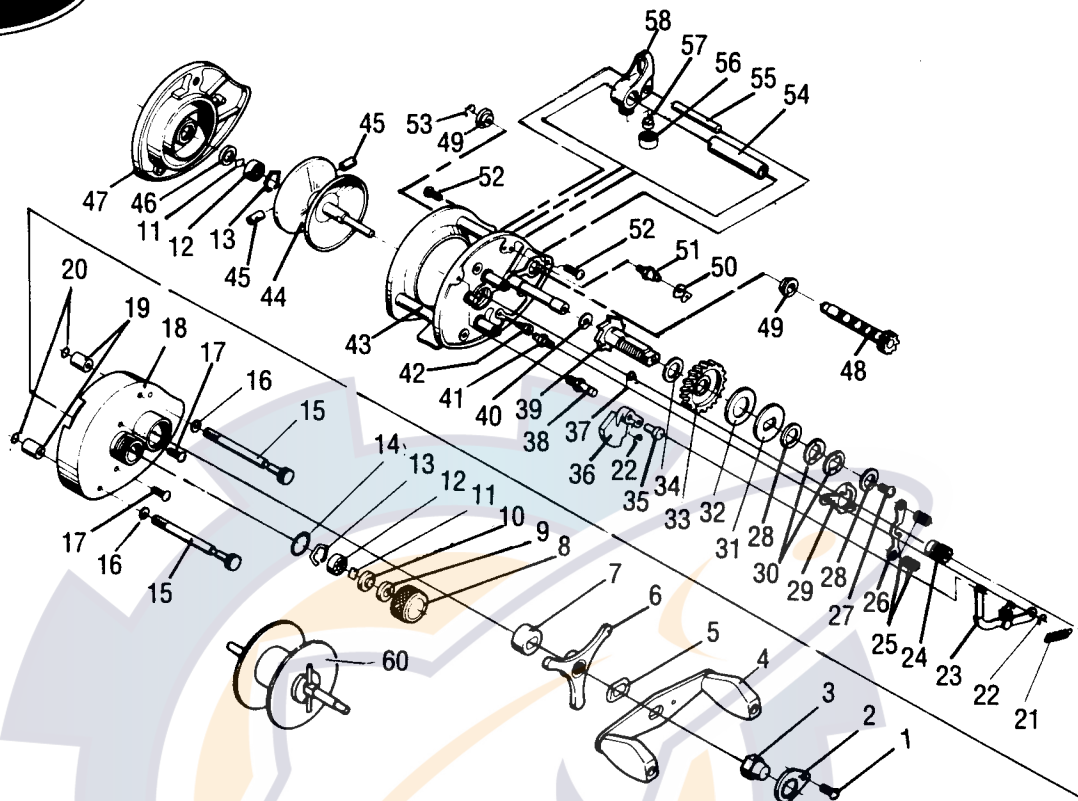




# BB1L



Key No.	Part No.	Description	Price	Key No.	Part No.	Description	Price
1	P306000	Handle Locking Plate Screw	.30	31	P306098	Drag Pressure Plate	.65
2	P306002	Handle Locking Plate	2.65	32	P306101	Fiber Drag Washer	.85
3	P306005	Handle Retaining Nut	1.40	33	P306105	Main Gear	8.50
4	P306010	Handle	7.00	34	P306110	Main Gear Fiber Washer	.30
5	P306013	Tri Star Drag Tension Plate	.30	35	P306113	Spool Release Button Pin	.30
6	P306016	Tri Star Drag Control	6.45	36	P306116	Spool Release Button	2.00
7	P306022	Drag Collar	.30	37	P306120	Spool Release Button Spring	.30
8	P306026	Cast Control Cap	2.20	38	P306122	Spool Release Button Post Screw	.70
9	P306031	Cast Control Tension Spring	.65	39	P306125	Ratchet Gear Assembly	12.70
10	P306212	Cast Control Tension Assembly	1.30	40	P306129	Drive Shaft Assembly Washer	.30
11	P306035	Friction Shim	.30	41	P306130	Kick Lever Screw	1.10
12	P306036	Spool Ball Bearing	12.00	42	P306132	Stopper Pin	.30
13	P306038	Bearing Retaining Spring	.30	43	P306136	Main Body Assembly	32.50
14	P306039	Cast Control O-Ring	.55	44	P306143	V Spool Standard	24.00
15	P306043	Side Plate Finger Screws	2.00	45	P306153	Brake Block	1.10
16	P306046	Washer	.30	46	P306033	Cast Control Tension Plate	1.10
17	P306047	Side Plate Retaining Screw	.30	47	P306167	Left Side Plate	11.20
18	P306054	Right Side Plate	13.30	48	P306178	Level Wind Gear	9.25
19	P306066	Side Plate Screw Ring	.65	49	P306181	Oilless Bushing	.55
20	P306068	O-Ring	.30	50	P306186	Anti Reverse Claw	2.25
21	P306069	Slider Spring	.30	51	P306189	Anti Reverse Claw Screw	.90
22	P306070	Retaining Ring	.30	52	P306190	Stabilizer Bar Screw	.30
23	P306072	Slider Assembly	5.35	53	P306079	Retaining Clip	.30
24	P306077	Pinion Gear	6.45	54	P306191	Level Wind Gear Guard	2.00
25	P306081	Clutch Spring	.30	55	P306195	Level Wind Stabilizer Bar	1.90
26	P306083	Clutch Lever	.85	56	P306200	Line Guide Block Cap	1.30
27	P306088	Drive Shaft Retaining Screw	.30	57	P306202	Pawl (Steel)	3.45
28	P306094	Drag Pressure Plate Washer	.30	57	P306203	Pawl (Zirconia)	6.85
29	P306086	Clutch Cam	.90	58	P306206	Line Guide Block	7.00
30	P306092	Drag Spring Washer	.55				

Prices subject to change without notice. Prices do not include postage and handling.

**PLEASE ORDER BY PART NUMBER**

Rev. 6/95

Zebco Division Brunswick Corporation, Box 270, Tulsa, OK 74101 USA 918-836-5581

